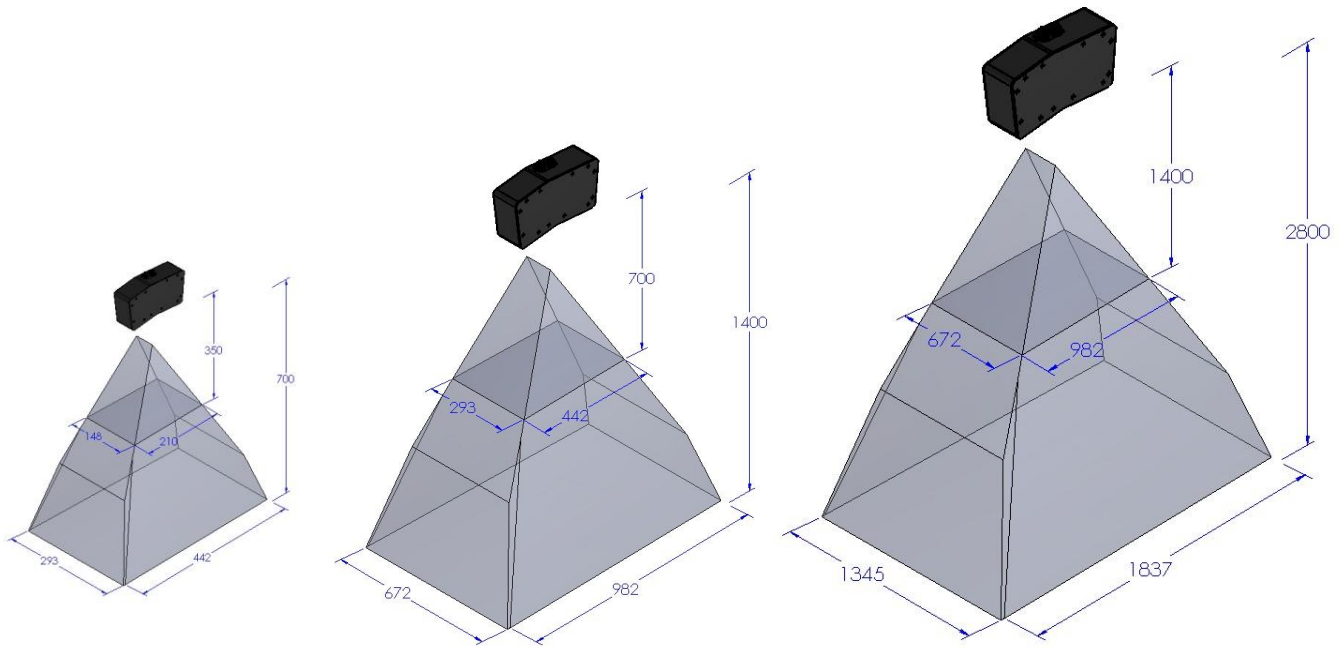


Recognition Robotics 3D Sensors

Specifications, **Preliminary**



Terrace3D 3000

Terrace3D 5000

Terrace3D 7000

Type		T 3000	T 5000	T 7000
3D Method				
	Triangulation	Coded Structure Light	Coded Structure Light	Coded Structure Light
Optical				
	Projector Resolution	1280 x 720	1440 x 912	1920 x 1080
	Camera Resolution	1936 x 1216	1936 x 1216	1936 x 1216
	Depth Resolution	0.1 mm @ 500	0.1 mm @ 700	0.1 mm @ 1200

	Acquisition time	160 Millisecond, single exposure.	160 Millisecond, single exposure	160 Millisecond, single exposure
	Number of Acquired coded images	16	16	16
	Volume of View	Reference drawing	Reference drawing	Reference drawing
	Spectrum	White	White	White
Communication				
	Type	Ethernet	Ethernet	Ethernet
Electrical				
	Input	24V DC	24V DC	24V DC
Mechanical				
	Connectors	Ethernet M12 A-code. 8 pins Power - M12-A-code. 5 pins	Ethernet M12 A-code. 8 pins Power - M12-A-code. 5 pins	Ethernet M12 A-code. 8 pins Power - M12-A-code. 5 pins
	Dimension	TBD	TBD	TBD
	Weight			
	IP Rating	IP67	IP67	IP65